





## QY-Series Miniature Circuit Breakers

### Long Code

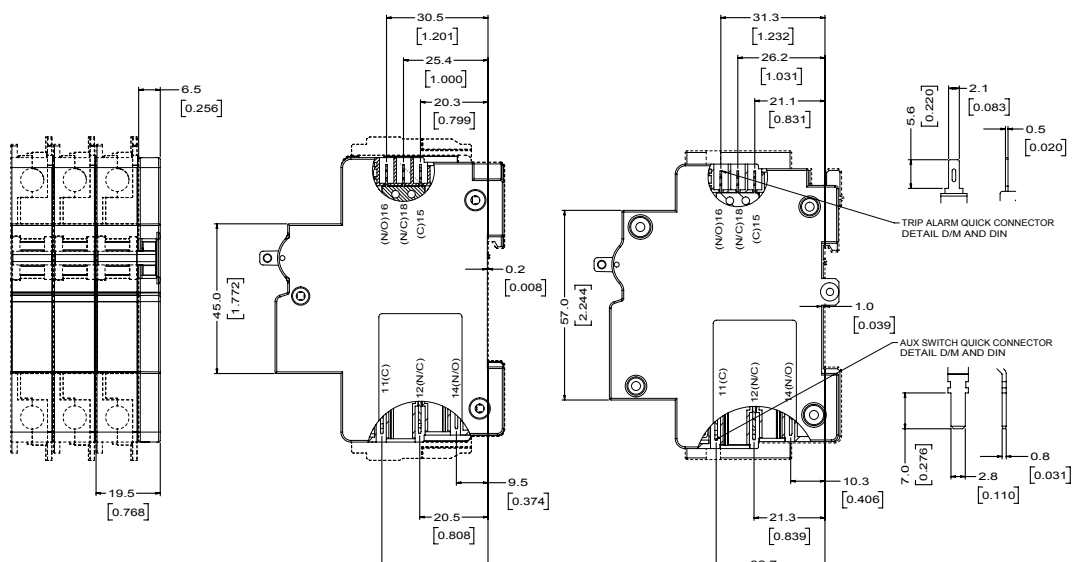
Group 1: Frame Type	Code	Description	Comments		
Group 1: Frame Type	QY	13mm width miniature circuit breaker	UL 489A, IEC / EN 60947-2, VDE, CE, CCC		
Group 2: Auxiliary Switch	Code	Description	Comments		
Group 2: Auxiliary Switch	A	Auxiliary Switch	Leave blank if not applicable		
	T	Trip Alarm			
	AT	Auxiliary Switch + Trip Alarm Combo			
Group 3: Number of Poles	Code	Description	Code	Description	
Group 3: Number of Poles	1	Single pole	3	Triple pole	
	2	Double pole	4	Four pole	
Group 4: Module Width	Code	Description	Comments		
Group 4: Module Width	(13)	13mm module width	13mm per pole		
Group 5: Mounting	Code	Description	Comments		
Group 5: Mounting	D	DIN rail mount	45mm Escutcheon, Grey body		
	DM	Dual mount	57mm Escutcheon, Black body		
Group 6: Time Delays	Code	Description	Instantaneous Trip Point (x In)	Comments	
Group 6: Time Delays	1	Long, high instantaneous trip	10 - 20	Orange handle	
	9	Long	7 - 12	White handle	
	U2	Medium	6 - 11	White handle	
	OP	Instantaneous	None	White handle	
Group 7: Current Ratings	Code	Description	Code	Description	Comments
Group 7: Current Ratings	0.1A	0.1A	10A	10A	Examples only. Any rating possible, from 0.1 - 200A. 0.1 - 63A (1p), 0.1A - 50A (2p), 20 - 100A (2p par) 110 - 150A (3p par), 200A (4p par)
	1A	1A	25A	25A	
	1.5A	1.5A	100A	100A	
	5A	5A	150A	150A	
Group 8: Additional	Code	Description	Code	Description	Comments
Group 8: Additional	B0	80 VDC Bottom Positive	Z	DC-Bridged (link not supplied)	Leave blank if not applicable
	B1	125 VDC Bottom Positive	ZL	DC-Bridged (link supplied)	
	T3	250 VDC Series Connected			

*For options not listed, please contact CBI for assistance*

**Example Code: QY-1(13)-D-U2-20A-B0**

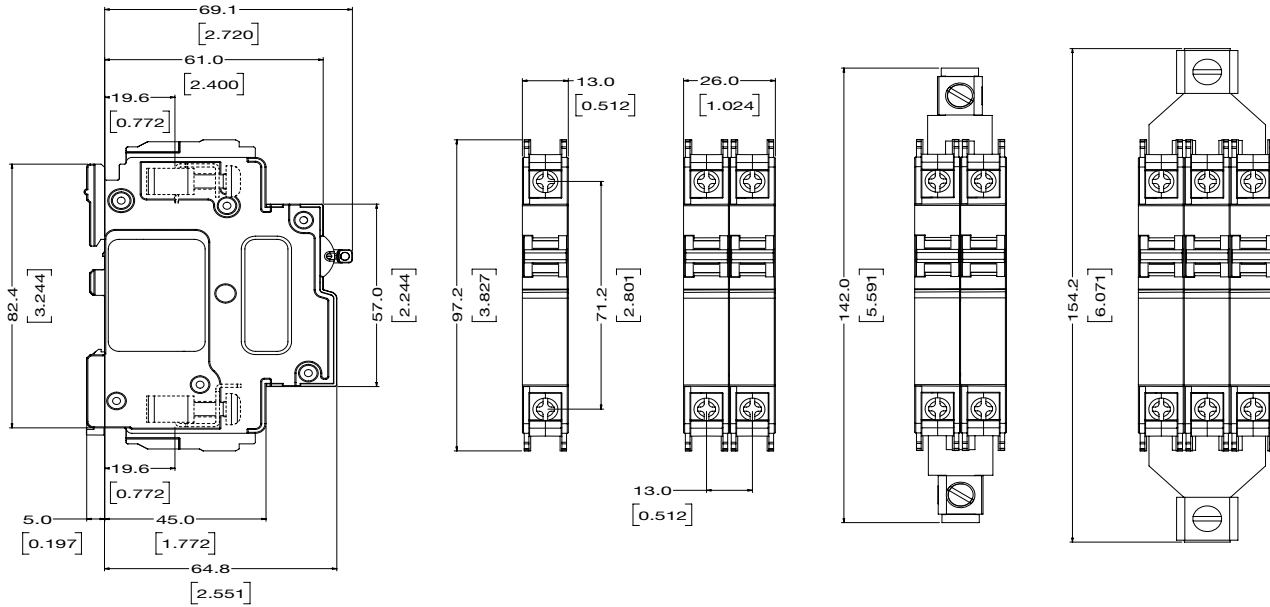
Group	1	2	3	4	5	6	7	8
Requirement	QY Frame	No Auxiliary	Single Pole	13mm	DIN Rail	Medium Delay	20A	80VDC
Long Code	QY	-	1	(13)	D	U2	20A	B0

### Auxiliary Outline Dimensions: DIN and Dual Mount



## QY-Series Miniature Circuit Breakers

### Outline Dimensions: Dual Mount



### Outline Dimensions: DIN Mount

