

Energy Generation Kit Solar Rise Four



600249 • 5/2015

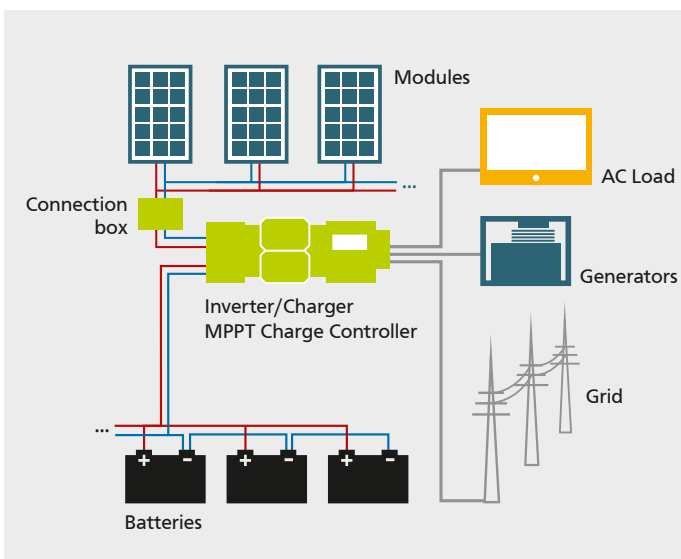
These kits offer a high level of energy independence and are the perfect solution to satisfy bigger energy demands. 230 VAC-consumers such as power tools, household machines or all other AC loads can be easily operated due to the plug-and-play configuration. Installation is easy due to the Outback Flexpower systems. Other energy sources like wind turbines, diesel generator sets or even the grid can be connected to the battery to extend the capacity.



The photo may not correspond to the standard delivery package

Kit available without battery:
Solar Rise X Four Art.No. 600251
Please contact our Sales Team (www.phaesun.com).

Irradiation Group	Irradiance [kWh/m ² ,day]	Daily energy prod. [kWh]	Requested capacity [Ah@48 V]	Autonomy days
1	6	11,51	900	3
2	5	9,59	900	4
3	4	7,67	900	5
4	3	5,75	900	6



Amount	Components
12	Solar modules 250 W
1	Solar connection box
1	Outback Flexpower One 3 KVA 48 VDC 230 VAC
24	Batteries 6 OPzV 750 2 VDC
1	Battery rack
	Solar cable
	Installation cable
	Installation material
Art.No. 600249	